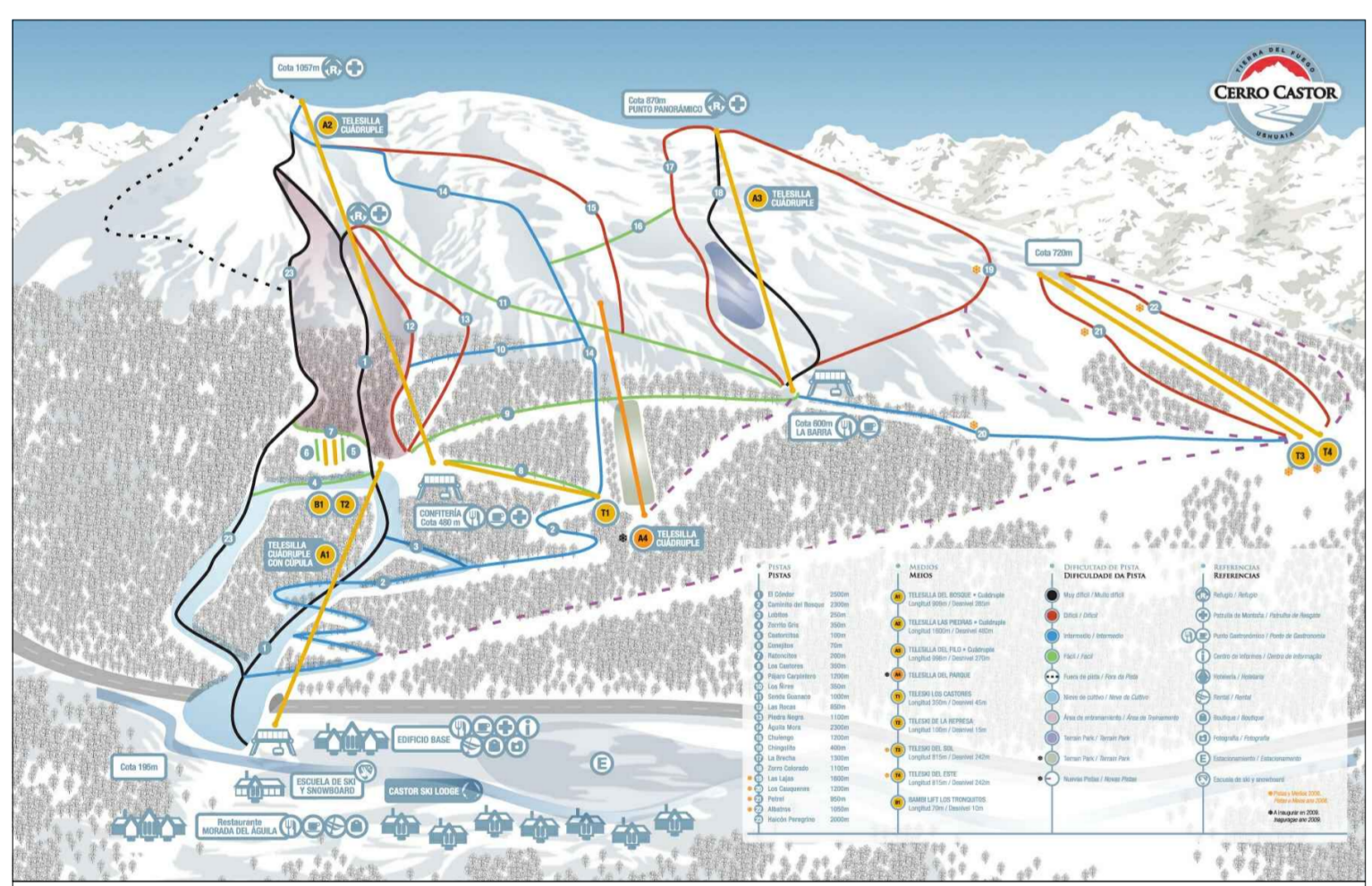
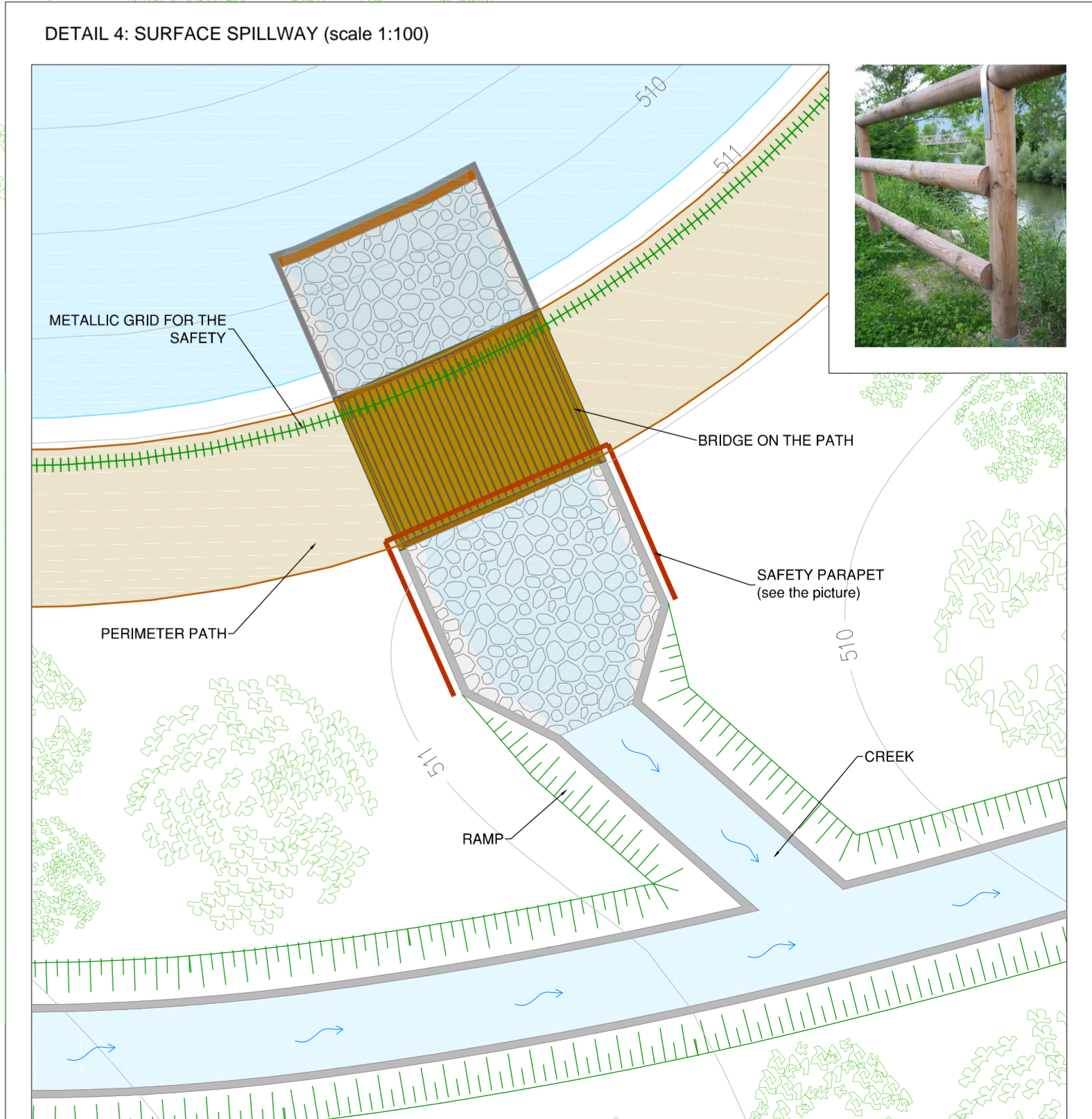
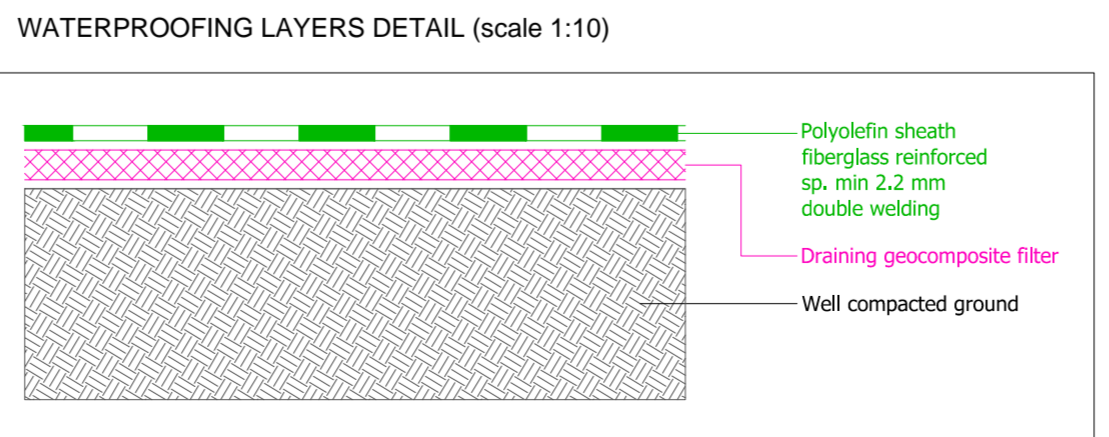
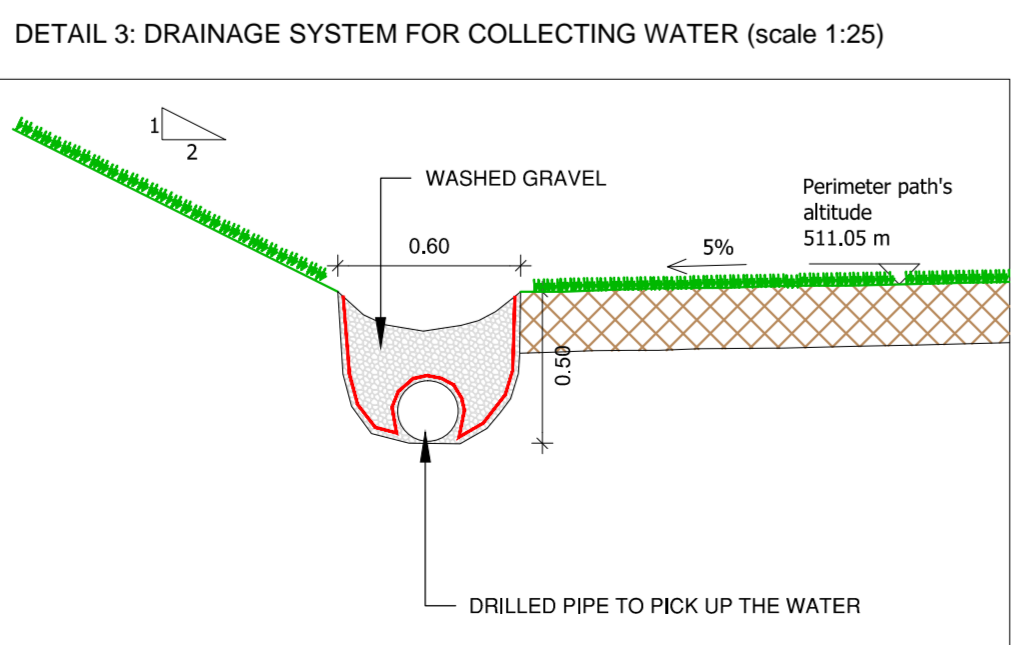
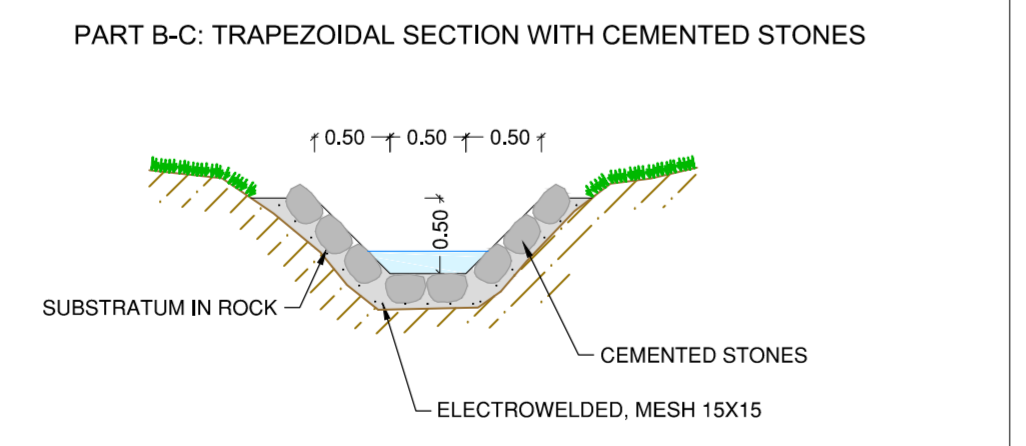
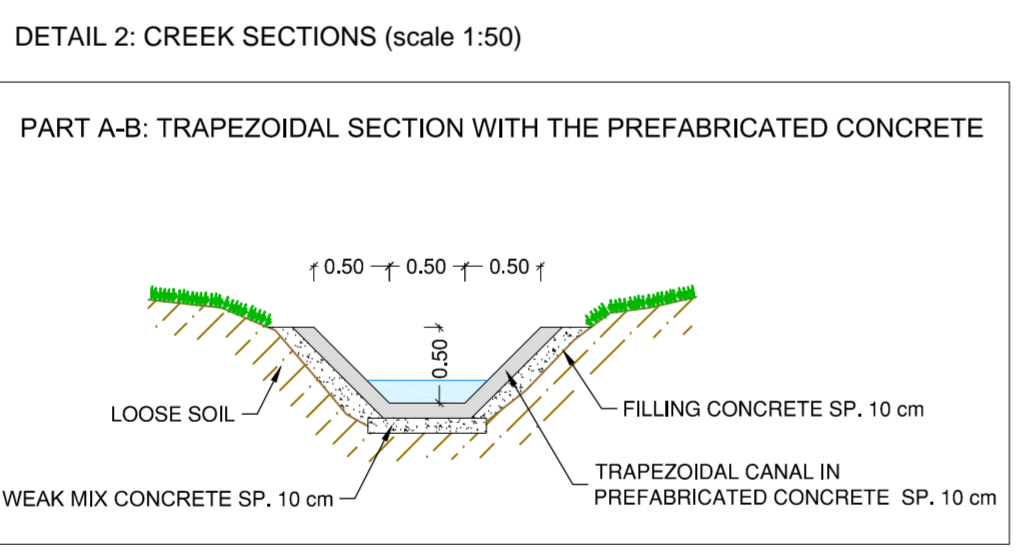
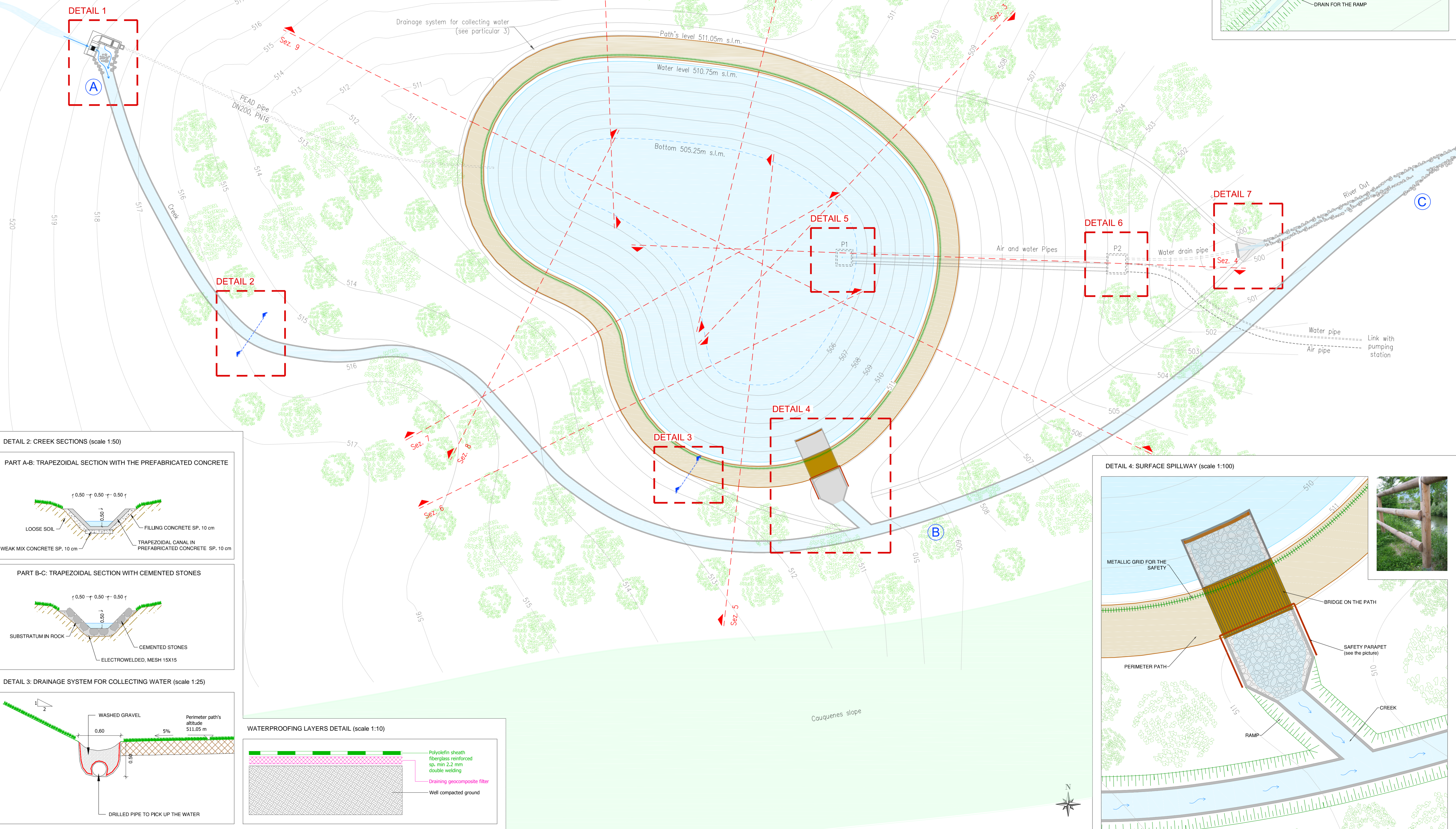
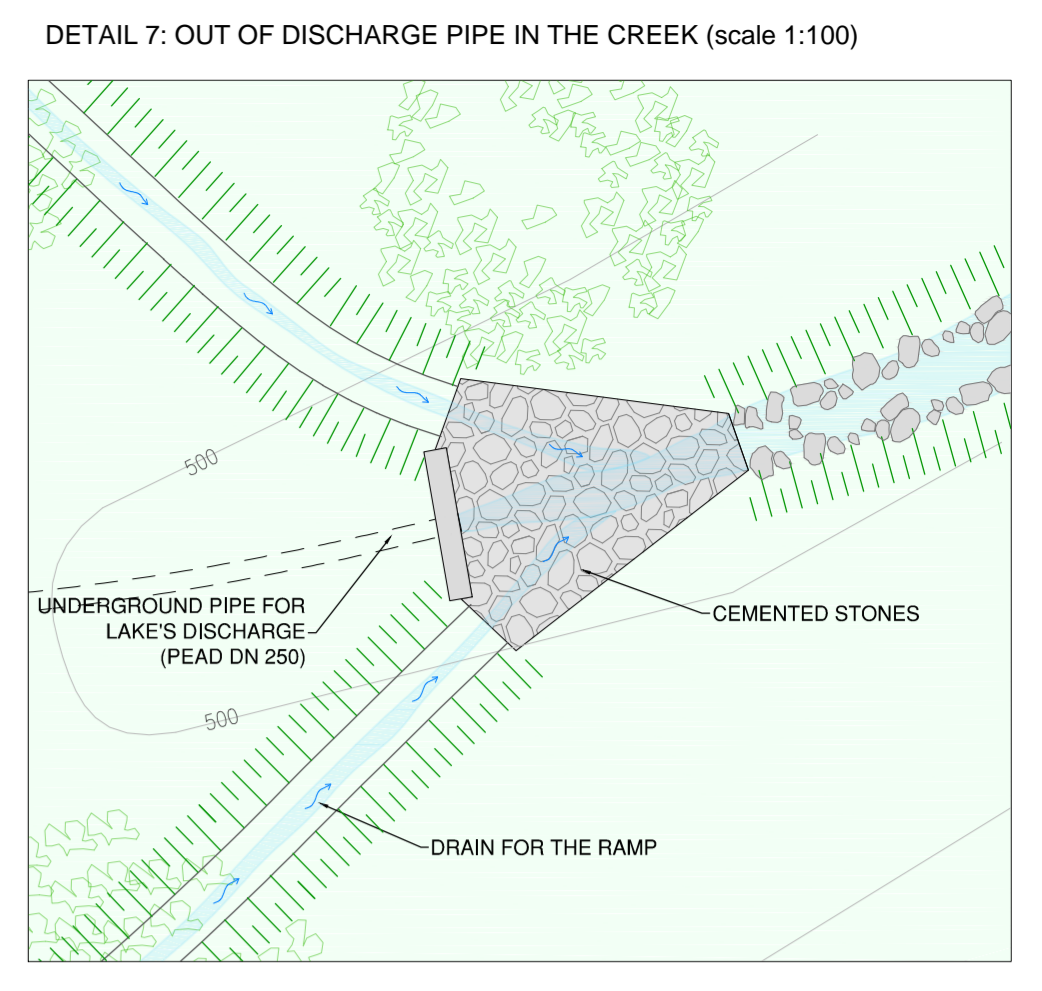
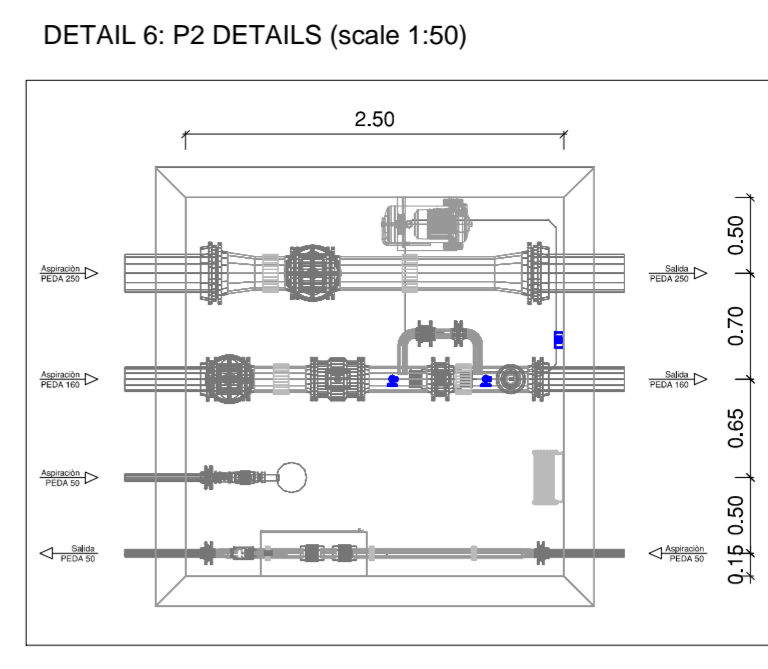
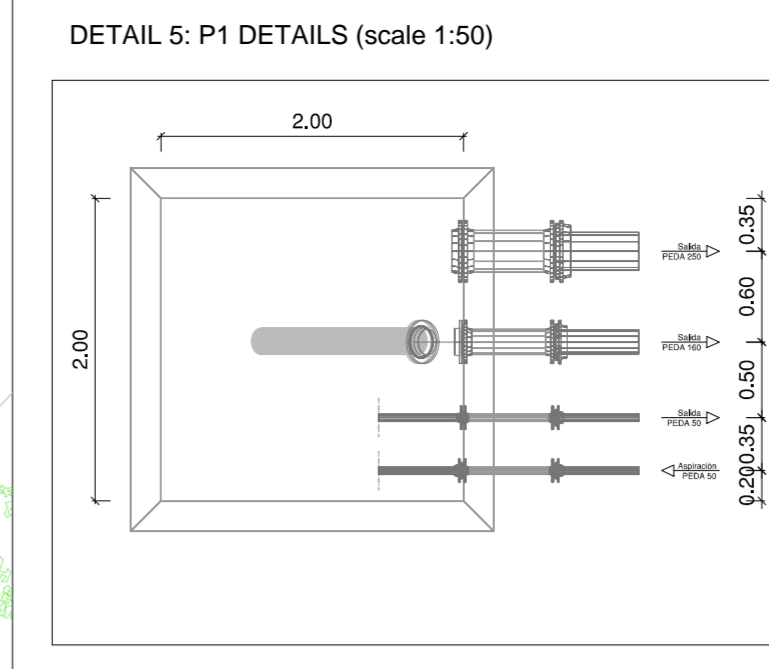
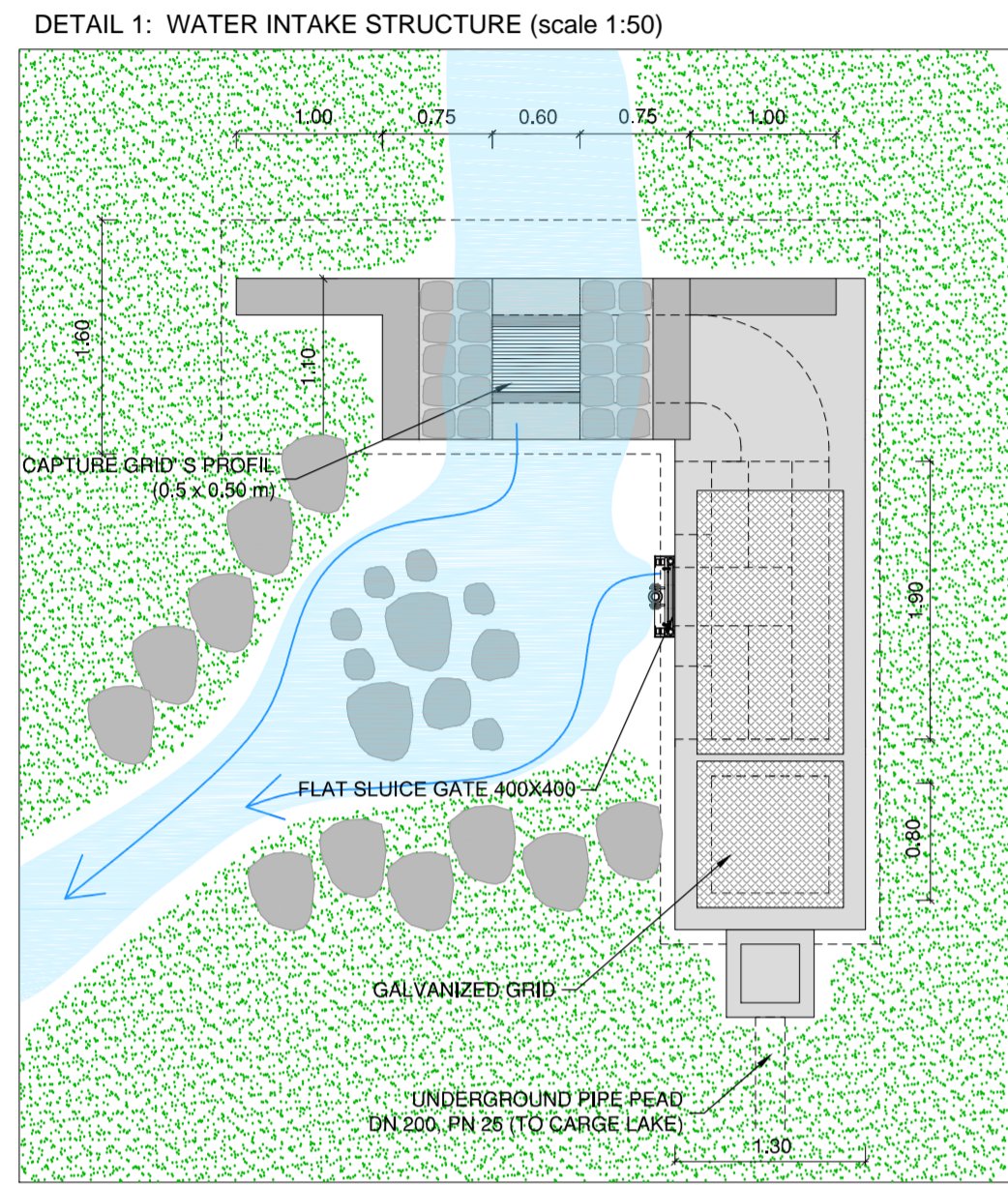


- LEGENDA**
- River
 - Project's contours
 - Excavation and reporting ramps
 - Road around lake
 - Safety metallic grid
 - New creek's path
 - Existing slope

TECHNICAL DATA

Depth = 5,5 m
 Capacity = 9.010,25 mc
 Excavation volume = 6.148,93 mc
 Reporting volume = 6.129,70 mc



NEW LAKE FOR ARTIFICIAL SNOW - CERRO CASTOR -

PROJECT PLAN

Object:

Customer: **CERRO CASTOR S.A**
 San Martin 740 - 9410 USHUAIA
 Tierra del Fuego - ARGENTINA
 Cuit: 30-67578977-7

Designers: **PROALPE**
 HYBRATED ENGINEERING DESIGN
 ENGINEERING COMPANY

of Ing. Giordano Farina e Ing. Ivan Veronesi
 via della Cervara, 6 - 38100 Trento - Italy tel. 0461-26.12.02 fax. 0461-26.62.90 e-mail. info@proalpe.it

Rev.	Date	Issued for:	Designed by	Controlled by	Approved by
00	05/2015	Authorization	Ing. Valentina Miotto	Ing. Ivan Veronesi	Ing. Giordano Farina

The present study is intellectual property of the author. It is forbidden use, copy, reproduce in whole or part, in any form, texts, drawings, graphics and photos without the written permission of the author.